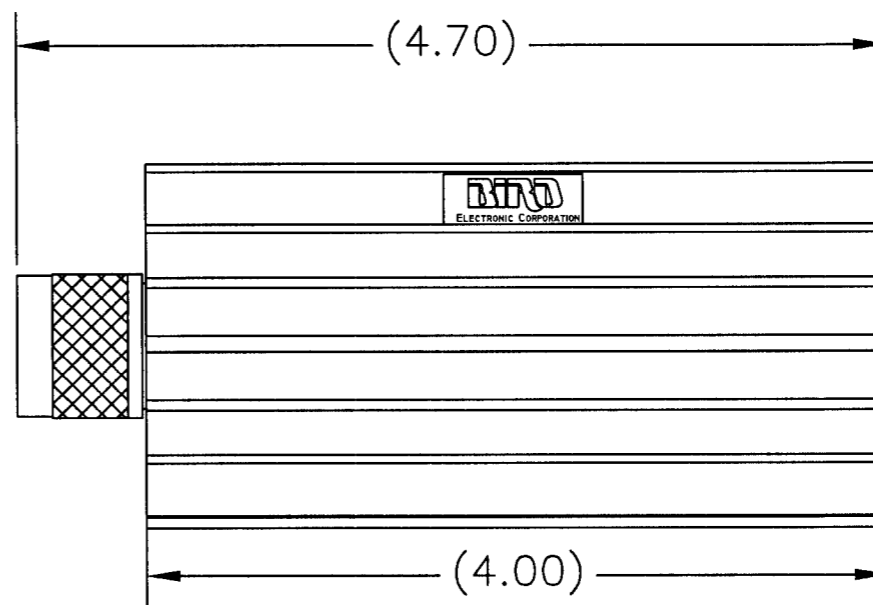
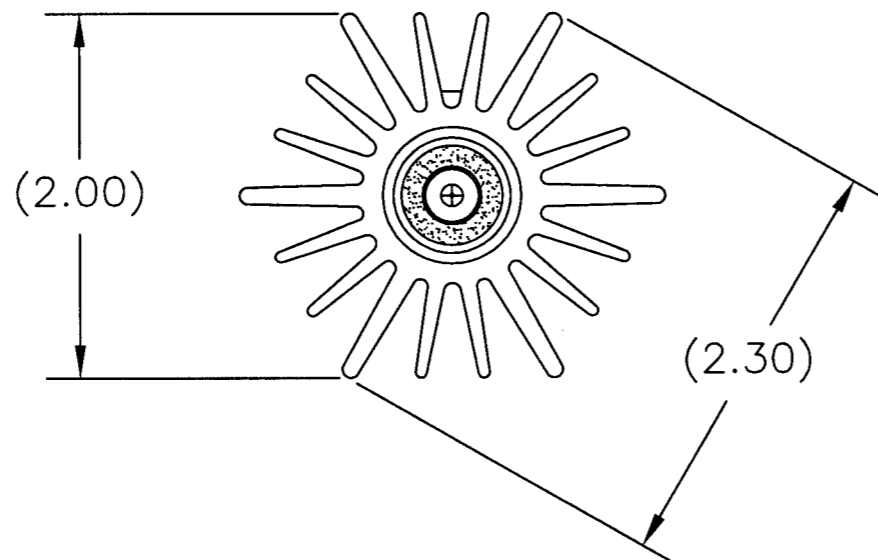


REV A
SHEET 1
20-T-MN
DWG NO.

SPECIFICATIONS:

IMPEDANCE: 50 OHMS, NOMINAL
 POWER RATING: 20 WATTS MAX.
 FREQUENCY RANGE AND VSWR:
 DC TO 2.4 GHZ AT 1.10:1 MAX.
 2.4 GHZ TO 6 GHZ AT 1.15:1 MAX.
 6 GHZ TO 10 GHZ AT 1.25:1 MAX.
 AMBIENT OPERATING TEMPERATURE: -40°C TO +40°C
 OPERATING POSITION: ANY
 CONNECTOR: N-TYPE MALE
 FINISH: BLACK ANODIZED ALUMINUM COOLING FIN,
 TRI-ALLOY PLATED CONNECTOR
 SIZE: APPROX. 4.70" L X 2.30" DIAMETER
 WEIGHT: APPROX. 10.7 oz. (304 g)

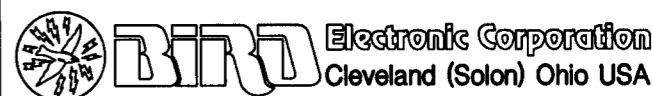
REVISIONS				
ZONE	REV	DESCRIPTION	DATE	APPROVED
	A	CONVERT TO BEC FORMAT	DMR 11-8-02	<i>mm</i>



DIMENSIONS HEREON ARE FOR CUSTOMER CONVENIENCE AND REFERENCE ONLY. TOLERANCE TO BE APPLIED ONLY WHERE INDIVIDUALLY STATED ON THE RESPECTIVE DIMENSION. -DO NOT SCALE DRAWING-

UNLESS OTHERWISE SPECIFIED DIMENSIONS ARE IN INCHES TOLERANCES ARE:	MILLIMETERS
FRACTIONS DECIMALS ANGLES	.X = ±.4 .XX = ±.12
± 1/64 .XX = ±.010 ± 30'	
.XXX = ±.005	
DO NOT SCALE DRAWING	

THIS DRAWING IS THE PROPERTY OF THE BIRD ELECTRONIC CORPORATION. THE DESIGNS AND SPECIFICATIONS DISCLOSED HEREON ARE PROPRIETARY AND SHALL NOT BE REPRODUCED, NOR COPIED, NOR USED AS THE BASIS FOR THE MANUFACTURE OR SALE OF APPARATUS OR DEVICES WITHOUT THEIR EXPRESS WRITTEN CONSENT.



MATERIAL	APPROVALS	DATE	TITLE		
FINISH	DRAWN D.M.RINK	11-8-02	TERMINATION, N-TYPE MALE, 20W		
	CHECKED		SIZE B	FSCM NO. 70998	DWG. NO. 20-T-MN
	APPROVED <i>MARK V</i>	1-13-03	SCALE 1:1	COMM CODE LD1	REV A
		AUTOCAD		SHEET 1 OF 1	